

Chapter 9

STUDY GUIDE

● Destruction by Earthquakes

Rewrite each sentence by changing the italicized word or words to make the sentence correct.

1. A *Richter Scale* is an instrument that is used to record primary, secondary, and surface waves of an earthquake. _____

2. An earthquake's *severity* is the measure of the energy released by the earthquake. _____

3. Seismic sea waves are also called *secondary waves*. _____

4. A scientist who studies earthquakes is a *seismograph*. _____

5. Scientists use the *Moho Scale* to measure the magnitude of earthquakes. _____

6. The earthquake in Kansu, China, registered 8.5 on the Richter Scale and released *ten* times more energy than the one in Messina, Italy, that registered 7.5. _____

7. An earthquake that registers between 8.0 and 8.9 on the Richter Scale is likely to happen *about five times* a year. _____

8. To help make your home earthquake safe, place *heavy objects* on the highest shelves. _____

9. An earthquake with a magnitude of 6.7 would release 32 times more energy than an earthquake with a *magnitude of 7.7*. _____

10. In a year, you could expect *about 6000* earthquakes with magnitude between 1.0 and 3.9.

Chapter 9

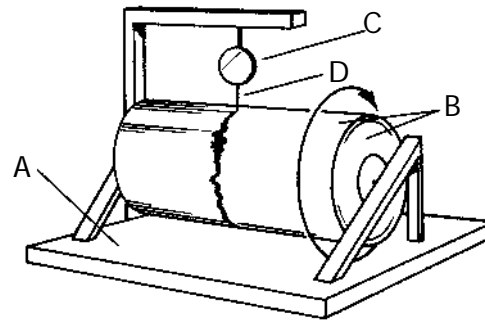
Text Pages 252–257

REINFORCEMENT

● Destruction by Earthquakes

Write the names of the seismograph parts illustrated on the lines provided.

- A. _____
 B. _____
 C. _____
 D. _____



Use Table 9-1 on page 253 of your text to help you answer the following questions.

- When and where was the strongest earthquake listed in the table? _____
- How many earthquakes on the chart had a Richter value of 8.3? _____
- Where were the earthquakes that had a Richter value of 8.3? _____

- Why might so many more people have died in the Tokyo earthquake than in the New Madrid earthquake? _____

- The earthquake in southern Chile was 32 times stronger than which other earthquake? _____

- Which earthquakes occurred in North America? _____

- Which earthquakes were 32 times greater than an earthquake registering 7.1 would be? _____
